

CD17S SERIES



ALUMINUM ELECTROLYTIC CAPACITORS

- High stability
- Small capacitance change
- Low dissipation factor, Low leakage current
- Used for photo flash

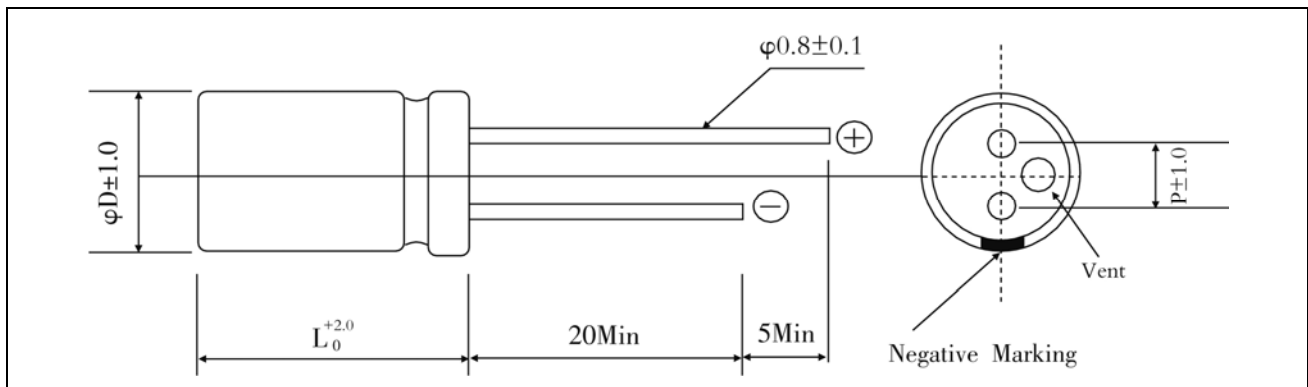


SPECIFICATIONS

Item	Characteristics	
Operating Temperature Range(°C)	-20~+55	
Rated Voltage	330VV.DC	360VV.DC
voltage Proof	350SV.DC	390SV.DC
Nominal capacitance range (μF)	40~300	
Capacitance Tolerance(20°C,120Hz)	-10%~+20%	
Dissipation Factor(20,120Hz)	0.06MAX	
Leakage current	I=1xC(at 20°C,after 5minutes)Max I=Leakage Current (μA) C: Nominal Capacitance (μF)	

DIMENSIONS

MM



■ STANDARD RATINGS

Capacitance	ΦD(mm)	12	14	16	18
(μF)	P	5.0	7.5	7.5	7.5
40	L(mm)	25	-	-	-
60		32	-	-	-
80		-	32	25	-
100		-	-	30	-
120		-	-	36	-
140		-	35	40	-
150		-	39	35	-
160		-	38	35	36
180		-	45	38	36
200		-	-	38	40
220		-	52	-	-
250		-	-	-	40

■ 360WV.DC(390SV.DC)

Capacitance	ΦD(mm)	16.0	18.0
(μF)	P	6.0	6.0
150	L(mm)	38	30
180		42	34
200		48	40
250		56	48
300		-	50

■ The specific capacitance and case size are available on request.