

CD26J SERIES



ALUMINUM ELECTROLYTIC CAPACITORS

- Load life of 2000 hours at 105°C
- Small size, High reliability
- Used in energy saving lamp circuits



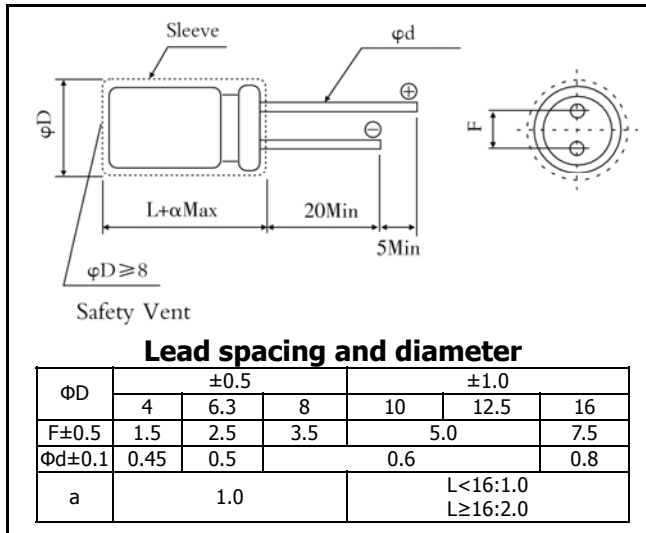
SPECIFICATIONS

Item	Characteristics			
Operating Temperature Range(°C)	-40~+105			
Rated Voltage Range (V)	200~400			
Nominal capacitance range (μF)	1~33			
Capacitance Tolerance(20°C,120Hz)	±20%			
Leakage current (μA)	I≤0.03CV or 4 whichever is greater.	CV≤1000: I≤0.1CV+40		CV>1000: I≤0.04CV+100
	(at 20°C,after 2 minutes) C: Nominal Capacitance (μF) V: Rated Voltage (V)			
Dissipation Factor(20°C,120Hz)	Rated voltage (v)	200	250	400
	tanδ	0.09	0.09	0.10
Load Life(+105°C)	Time	2000 hours		
	Leakage current	Not more than the specified value.		
	Capacitance Change	Within ±20% of the initial value.		
	Dissipation Factor	Not more than 200% of the specified value.		
Shelf Life(+105°C)	Time	1000 hours		
	Leakage current	Not more than the specified value.		
	Capacitance Change	Within ±20% of the initial value.		
	Dissipation Factor	Not more than 200% of the specified value.		
After test: Rated voltage to be applied for 30 minutes,24 to 48 hours before measurement.				

DIMENSIONS

MM

MULTIPLIER FOR RIPPLE CURRENT



Frequency coefficient

Freq(Hz)		50,60	100(120)	1K	10K
Rated Voltage (V)	C(μF)				
10~63	1~33	0.75	1.00	1.57	2.00
160~400	4.7~33	0.80	1.00	1.40	1.60

STANDARD RATINGS

WV(V)	200		250		400	
Cap(μF)	φDxL(mm)	Ripple(mA)	φDxL(mm)	Ripple(mA)	φDxL(mm)	Ripple(mA)
1	-	-	-	-	8X11.5	16
2.2	-	-	-	-	10X12.5	27
3.3	-	-	-	-	10X16	36
4.7	10X12.5	50	10X12.5	50	10X20	43
10	10X16	80	10X20	80	12.5X20	72
22	10X20	140	12.5X25	140	16X25	110
33	12.5X25	190	12.5X25	190	-	-

● Ripple Current: 105°C,100 or 120Hz

The specific capacitance and case size are available on request.